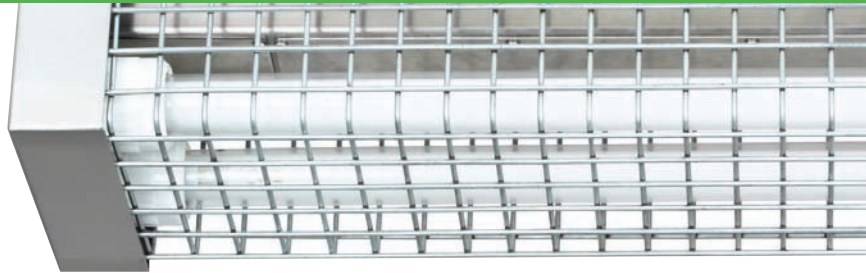
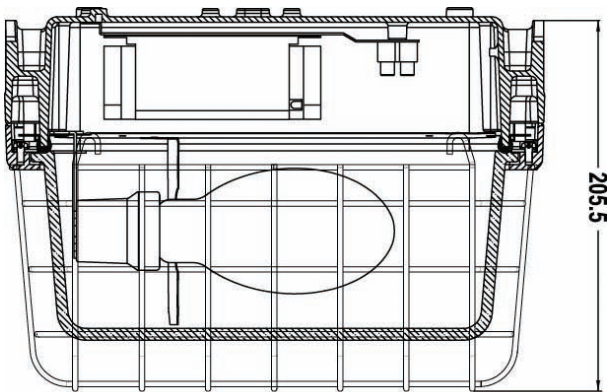


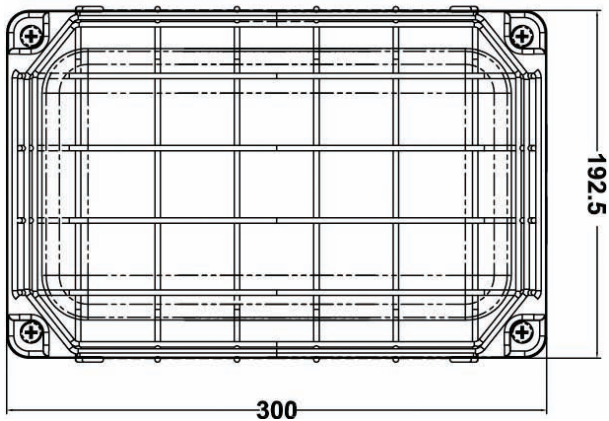
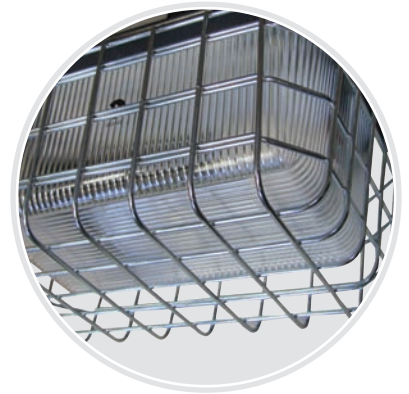
All Metal Products

LIGHTING INDUSTRY



All Metal Products has over 45 years' experience in manufacturing for the lighting industry and an outstanding industrial reputation for quality.

- ✓ Round Wire Guards
- ✓ Clip-on wire guards
- ✓ Anti-vandal cages
- ✓ Reflectors
- ✓ Battens
- ✓ Zinc Plated / Powdercoated / Stainless Steel



At AMP we are very conscious of the ever changing marketplace within the lighting industry, and therefore we are well equipped to handle both standard and custom designed products with short lead time and at a competitive price.

Contact us with your ongoing supply needs.



AUSTRALIA'S MOST CAPABLE LIGHT METAL MANUFACTURER

41-57 DUNHEVED CIRCUIT
ST MARYS NSW 2760

PH: 02 9673 3111

WWW.ALLMETALPRODUCTS.COM.AU

sales@allmetalproducts.com.au