

All Metal Products

ENGINEERING COMPONENTS



All Metal Products can meet your needs and budget for manufacturing.

With more than 45 years of industry experience, we can advise on design and construction to enhance your products and save you time and money.

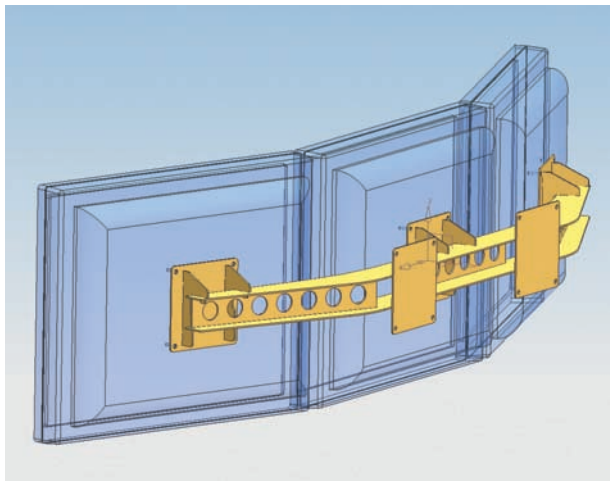
Extensive capabilities in design, wire, tube and sheetmetal. In house powdercoating and warehousing.

9000m2 Manufacturing facility in the heart of Western Sydney.

Make to order manufacturing to suit your requirements.

Previous work done includes:

- ✓ Production line wire baskets
- ✓ Warehouse fitout trolleys & stillages
- ✓ Large scale shopfitting components
- ✓ Sub-assembly frames for pressure washers
- ✓ HVAC motor support brackets & wire guards
- ✓ Tubular support components
- ✓ Furniture industry sub-frames



Contact us with your ongoing supply needs.



AUSTRALIA'S MOST CAPABLE LIGHT METAL MANUFACTURER

41-57 DUNHEVED CIRCUIT
ST MARYS NSW 2760

PH: 02 9673 3111

WWW.ALLMETALPRODUCTS.COM.AU

sales@allmetalproducts.com.au